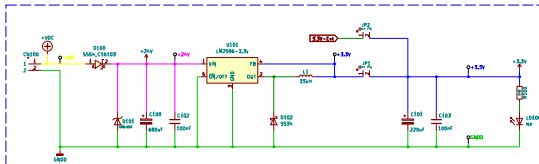
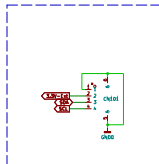


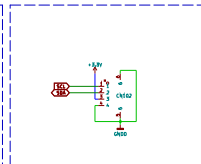
Relay Outputs [1 - 8]



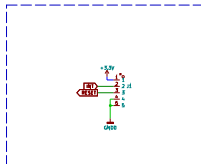
3.3VDC Supply



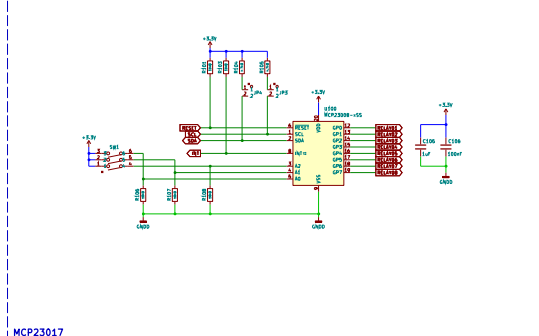
I2C BUS IN



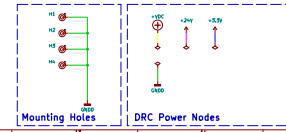
I2C BUS OUT



Control Signals



MCP23017



www.eacontroltech.com
 contact@eacontroltech.com
 EA Control Tech
 Rev: 7
 File: B-DO_Board_MCP23017.dwg
 Title: B-DO - MCP23017
 Sign: 11/11/2018 10:11:18
 RCH TAZ, YEA

100.00
 10/17