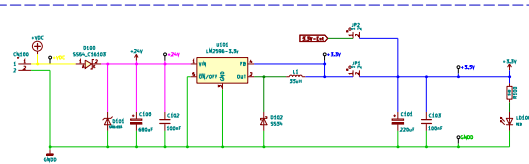
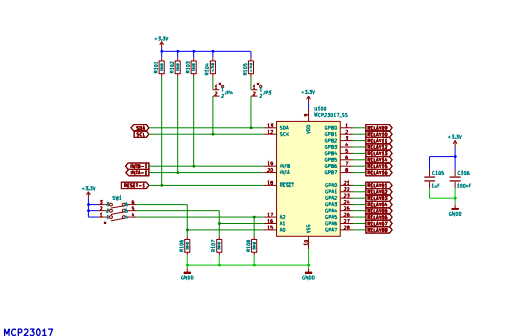


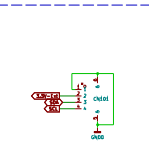
PORTA - Relay Outputs [1,8]



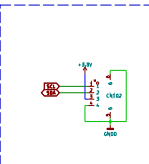
3.3VDC Supply



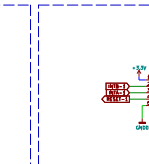
MCP23017



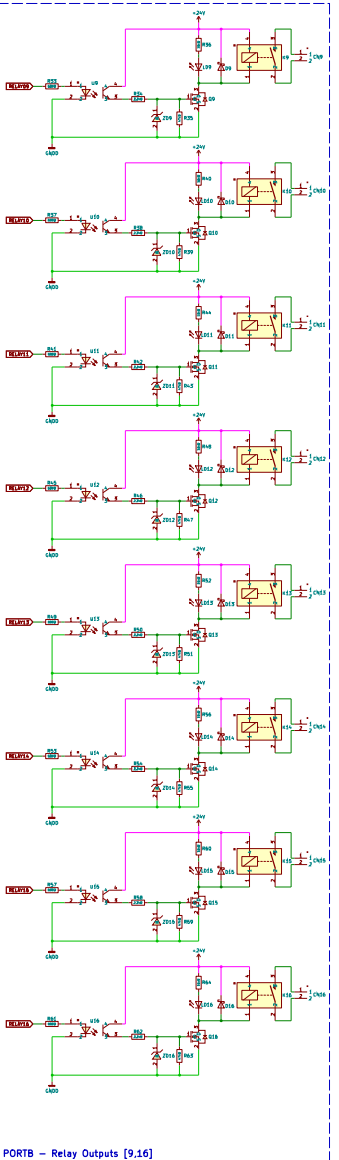
I2C BUS IN



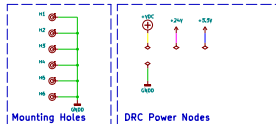
I2C BUS OUT



Control Signals



PORTB - Relay Outputs [9,16]



www.eacontroltech.com
 contact@eacontroltech.com
 EA Control Tech
 5000 /
 File: J:\S_Documents\MCP23017A.dwg
 Title: 16 DO - MCP23017
 Date: 11/08/2008 09:16
 User: EA\K.A.