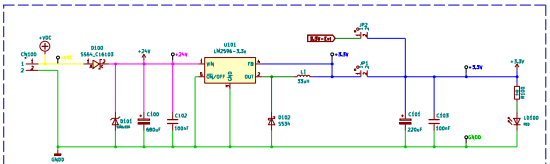
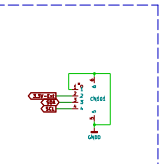


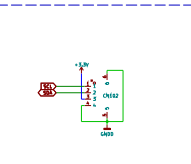
PORT A Digital Inputs



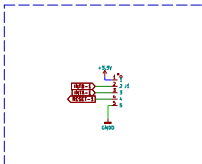
3.3VDC Supply



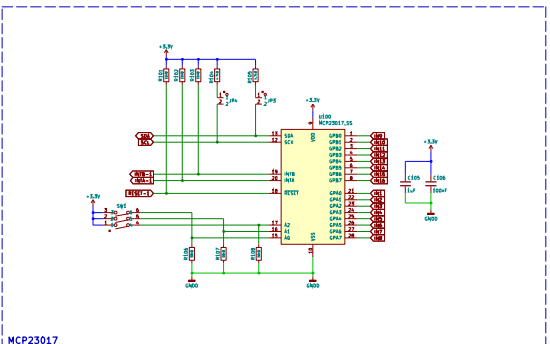
I2C BUS IN



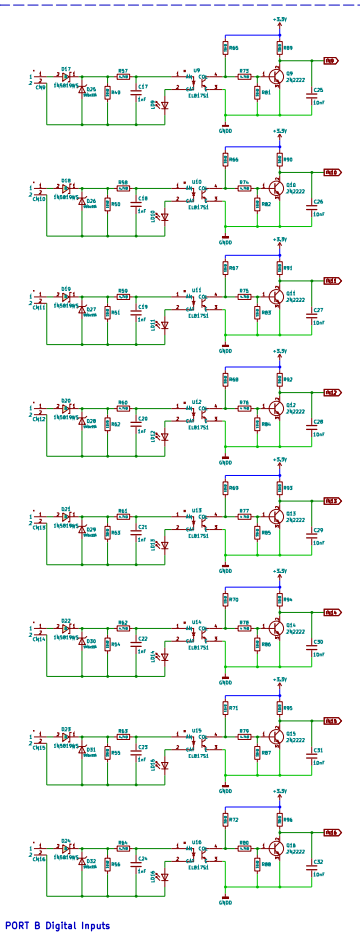
I2C BUS OUT



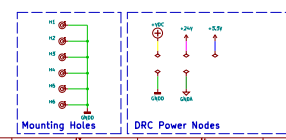
Control Signals



MCP23017



PORT B Digital Inputs



<p>www.eacontroltech.com          contact@eacontroltech.com          EA Control Tech</p> <p>Rev: 7          File: JCS_D_Based_MCP23017.dwg.net          Title: 16-DI - MCP23017          Date: 11/18/2020 10:58:38 AM          User: EA\KSA</p>	<p>16-DI          10/17</p>
---	---------------------------------